

MAINTENANCE SCHEDULE

SERVICE INTERVALS (HOURS)	5	10	20	30	40	50	60	70	80	90	100
HOOD AND ENGINE COVER WELNUTS	C	C	C	C	C	C	C	C	C	C	C
AIRBRAKE COVER WELNUTS	C	C	C	C	C	C	C	C	C	C	C
SPARK PLUGS (RN179BC)	I		I		I		I		I		R
WATER PUMP BELT	C		C		C		C		C		C
CARB AND JET ADJUSTMENTS*			C		C		C		C		C
ENGINE MOUNTING NUTS AND BOLTS			C		C		C		C		C
AIR BRAKE CABLES		C	I		C		C		C		R
THROTTLE CABLE		C	I		C		C		C		R
SHOCK CABLE		C	I		C		C		C		R
STEERING CABLE		C	I		C		C		C		R
AIR FILTER		I			I		I		I		R
OIL AND OIL FILTER		R			R		R		R		R
FUEL FILTER		I			R		R		R		R
ELECTRICAL WIRING**		I	I	I	I	I	I	I	I	I	I
SKIRTS***		C			C		C		C		C
FAN/FAN HUB BEARINGS		C			C		C		C		C
OIL PUMP		C			C		C		C		C
DRIVE ASSEMBLY****		C/R			C/R		C/R		C/R		C/R
DRIVE BELT TENSION*****		C	C	C	C	C	C	C	C	C	C
HOSE CLAMPS		C			C		C		C		C
FIRE EXTINGUISHER		I			I		I		I		I
SKIDS		I	I	I	I	I	I	I	I	I	I
FUEL TANK CONNECTIONS			C		C		C		C		C
RUNNING LIGHTS			C		C		C		C		C
RUDDER & SHUTTER LINKAGES		C			C		C		C		C
RUDDER & SHUTTER BOLTS		C			C		C		C		C

*TO BE PERFORMED BY A QUALIFIED TECHNICIAN

**SEAL ELECTRICAL TERMINALS OF GAUGES AND BATTERY WITH WHITE LITHIUM GREASE SPRAY OR PASTE

***IF SKIRTS ARE TORN OR WORN, THEY CAN BE USED UNTIL THERE IS A NOTICEABLE LOSS OF LIFT OR CONTROL

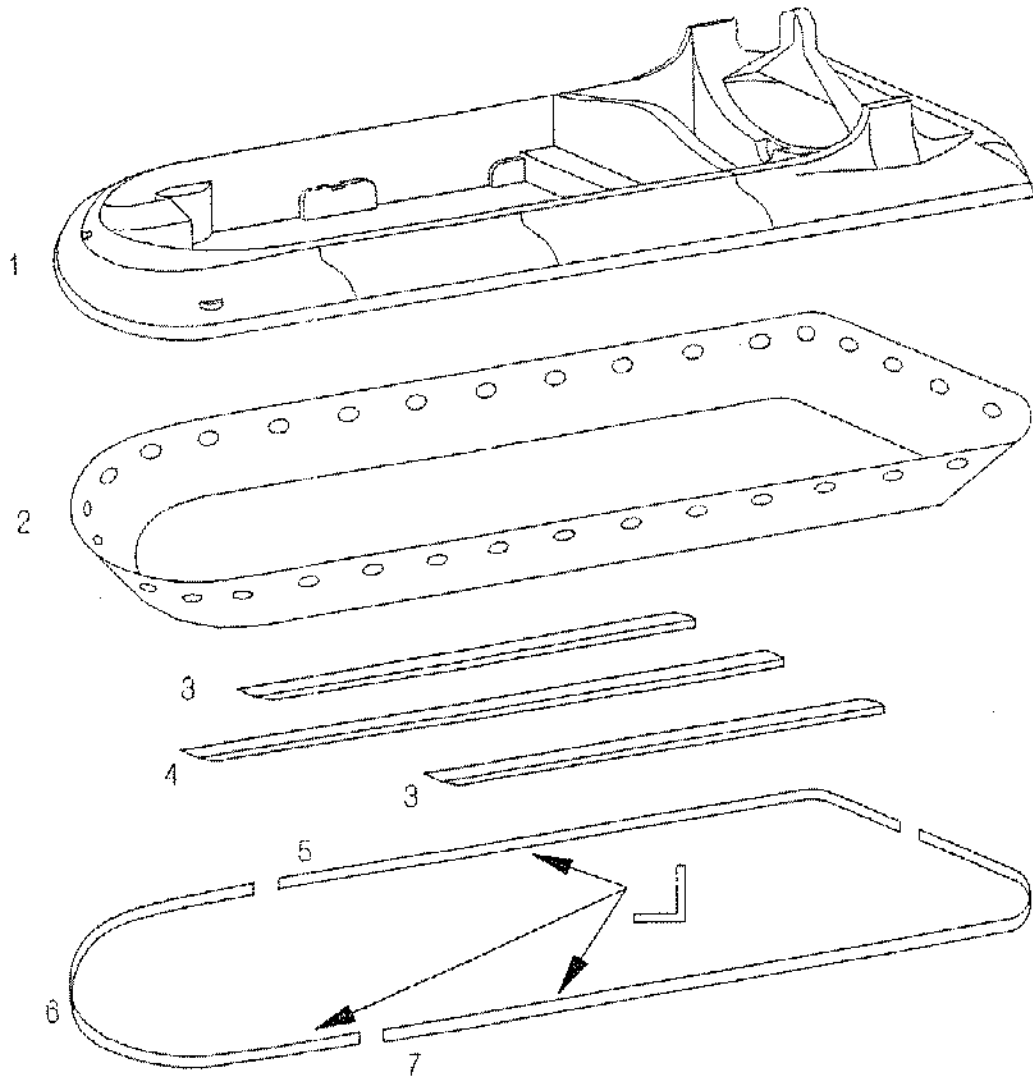
****THIS INCLUDES FLYWHEEL PLATE, ROTO FLEX COUPLER, DRIVE SHAFT,

BLOCK BEARINGS, BUSHINGS, DRIVE AND DRIVEN PULLEY BOLTS

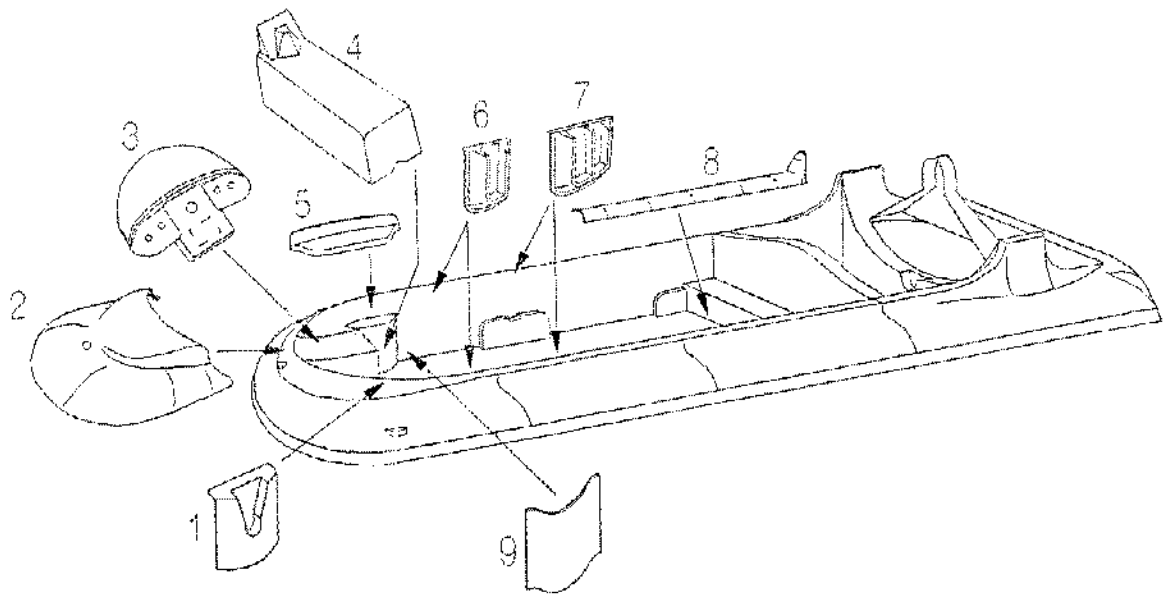
*****ANY ADJUSTMENTS TO DRIVE BELT TENSION SHOULD BE MADE BY A QUALIFIED HOVERCRAFT AMERICA TECHNICIAN

Hovercraft
AMERICA

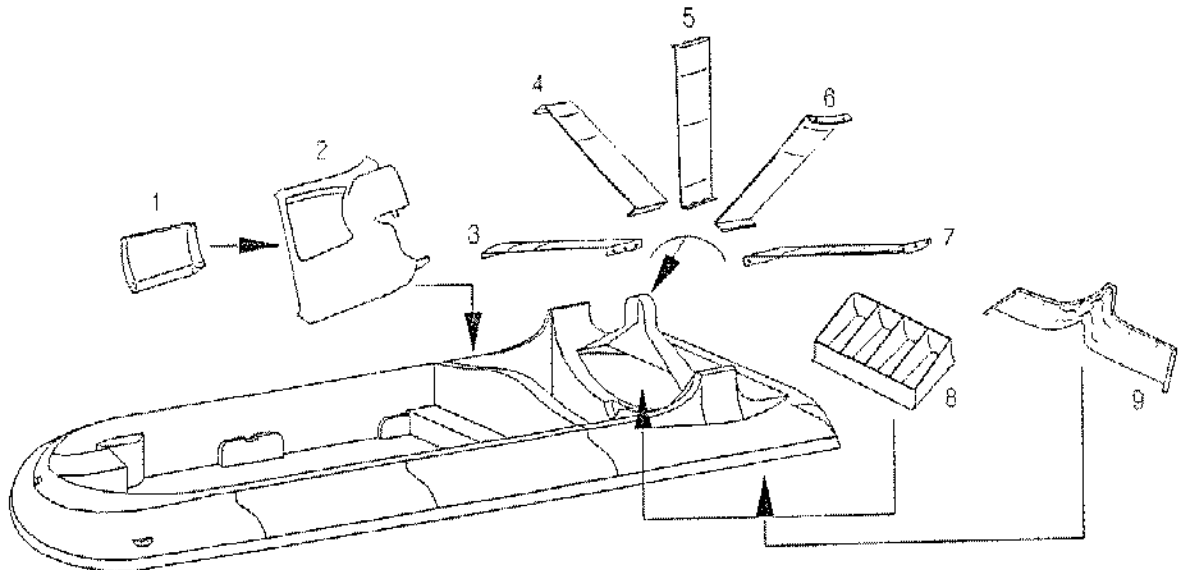
Parts Manual



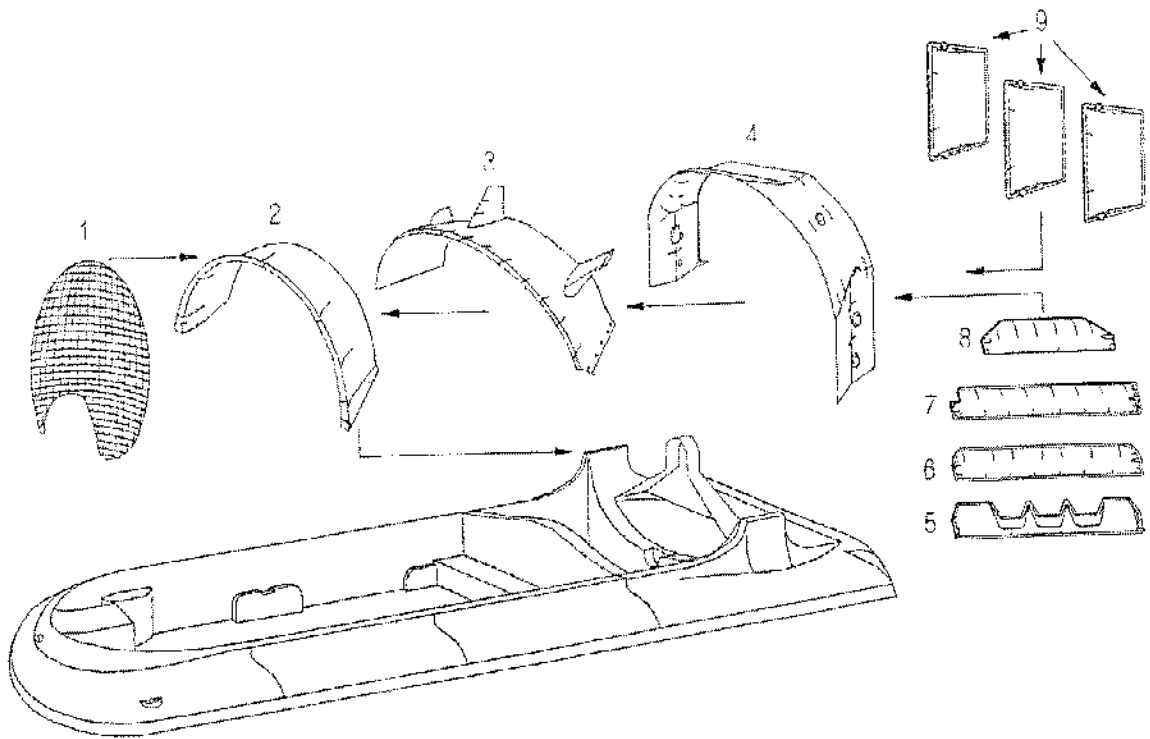
Ref. No.	Part No.	Description	Qty.
1	01-101N	Upper body (Call factory for proper repair procedure)	1
2	01-102N	Lower body (Call factory for proper repair procedure)	1
3	01-103N	Right skid / Left skid	2
4	01-104N	Middle skid	1
5	01-105N	Right skirt trim	1
6	01-106N	Front skirt trim	1
7	01-107N	Left skirt trim	1



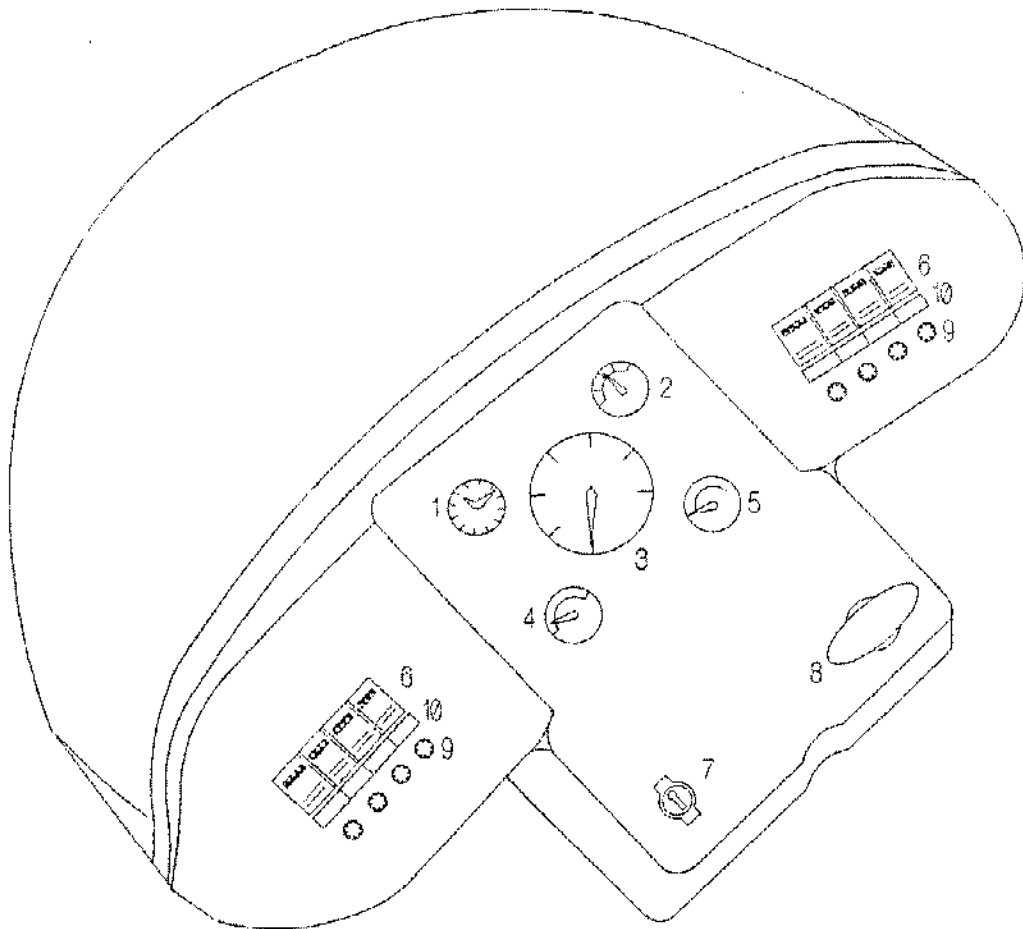
Ref. No.	Part No.	Description	Qty.
1	02-120-2	Brake cover	1
2	02-121-2	Front hood	1
3	02-122-2	Dash pod	1
4	02-123-2	Fuel cell/seat	1
5	02-124-2	Storage lid	1
6	02-125-2	Reversing seat back	2
7	02-126-2	Dual seat back	2
8	02-127-2	Wiring cover	1
9	02-128-2	Storage compartment	1



Ref. No.	Part No.	Description	Qty.
1	03-140N	Motor cover	1
2	03-141N	Engine compartment cover	1
3	03-142N	Right horizontal stator vane	1
4	03-143N	Right 45 degree stator vane	1
5	03-144N	Vertical stator vane	1
6	03-145N	Left 45 degree stator vane	1
7	03-146N	Left horizontal stator vane	1
8	03-147N	Radiator air deflector	1
9	03-148N	Plenum splitter plate	1

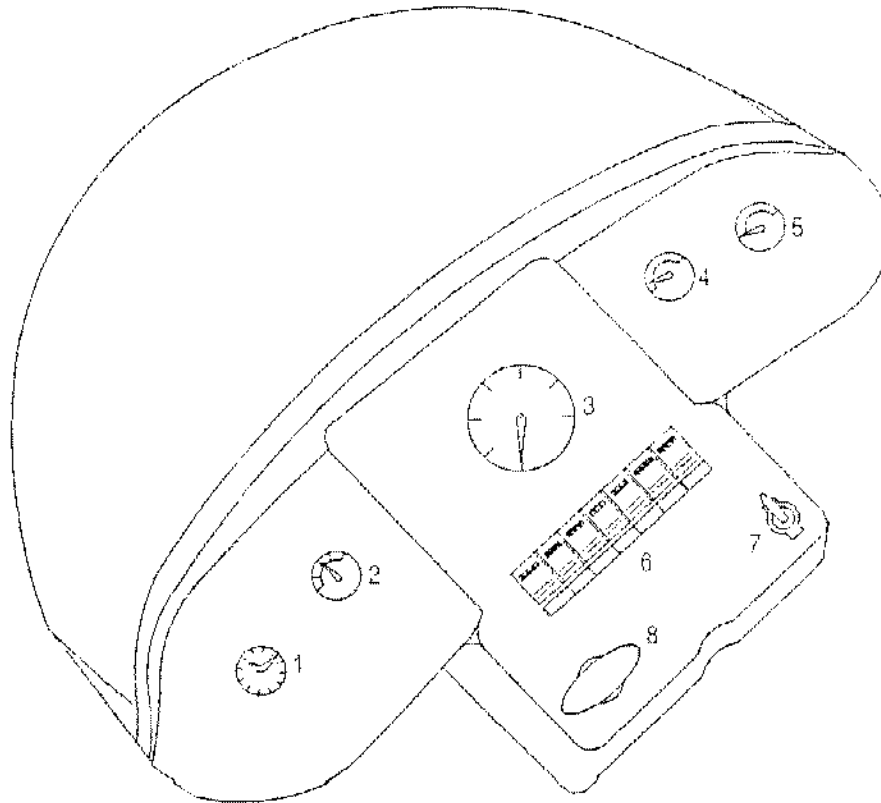


Ref. No.	Part No.	Description	Qty.
1	03A-150-2	Fan guard	1
2	03A-151-2	Inner duct	1
3	03A-152-2	Outer duct	1
4	03A-153-2	Rudder and shutter mount	1
5	03A-154-2	Bottom shutter	1
6	03A-155-2	Bottom middle shutter	1
7	03A-156-2	Upper middle shutter	1
8	03A-157-2	Upper shutter	1
9	03A-158-2	Rudder	2



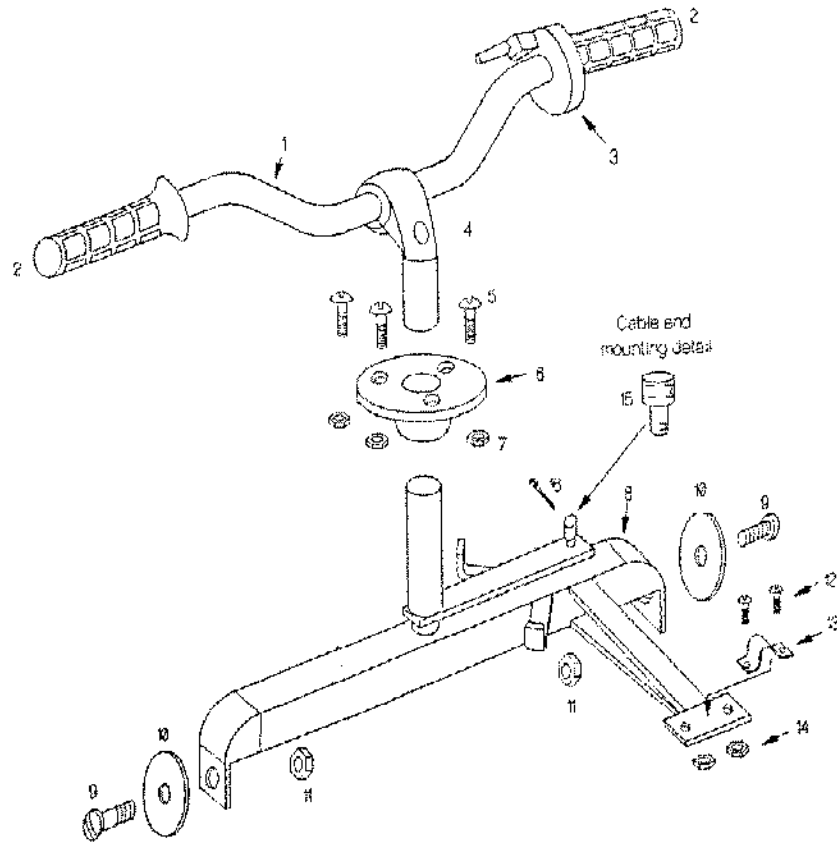
Ref. No.	Part No.	Description	Qty.
1	04-160N	Hour meter	1
2	04-161N	Voltmeter	1
3	04-162N	Tachometer	1
4	04-163N	Oil pressure	1
5	04-164N	Coolant temperature	1
6	04-165N	Switch assembly (switches may be purchased separately)	1
7	04-166N	Starter switch	1
8	04-167N	Choke handle	1
9	04-168N	Fuse holder	1
10	04-169N	Switch labels	1

Dash assemblies and gauge locations are subject to change without notice
www.Hovercraft.Depot.com
 See pricing sheet at the end of this section

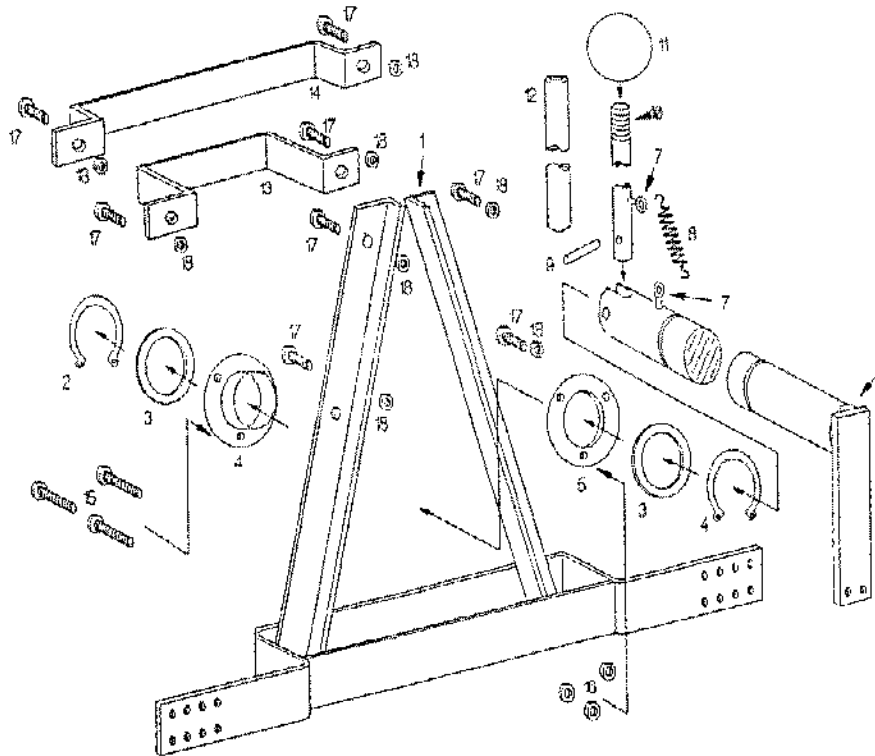


Ref. No.	Part No.	Description	Qty.
1	04-160N	Hour meter	1
2	04-161N	Voltmeter	1
3	04-162N	Tachometer	1
4	04-163N	Oil pressure	1
5	04-164N	Coolant temperature	1
6	04-165N	Switch assembly (switches may be purchased separately)	1
7	04-166N	Starter switch	1
8	04-167N	Choke handle	1

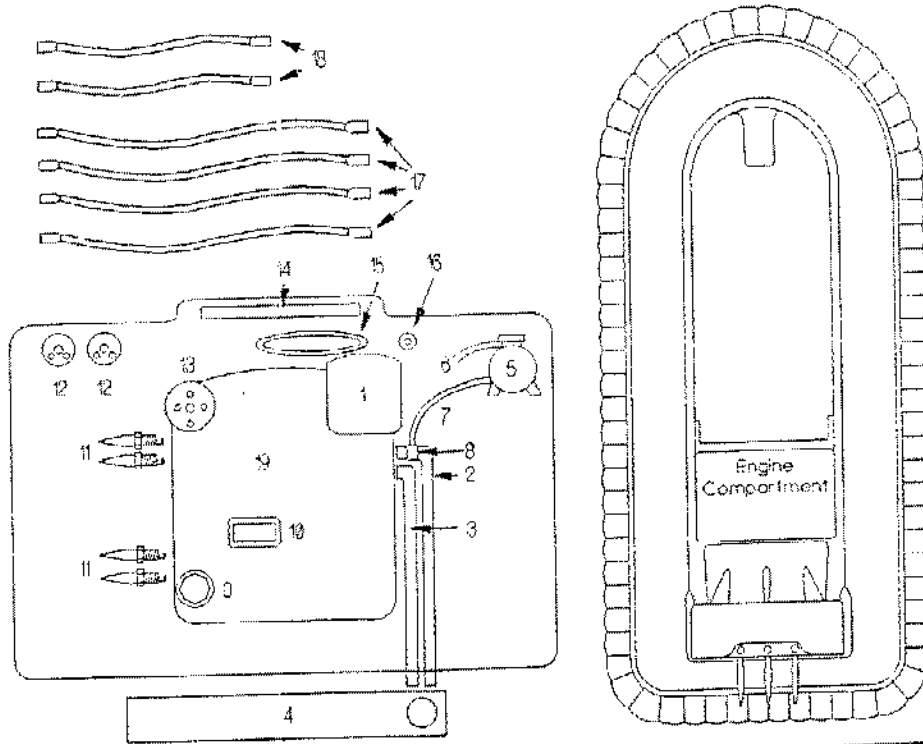
Dash assemblies and gauge locations are subject to change without notice
www.HovercraftDepot.com



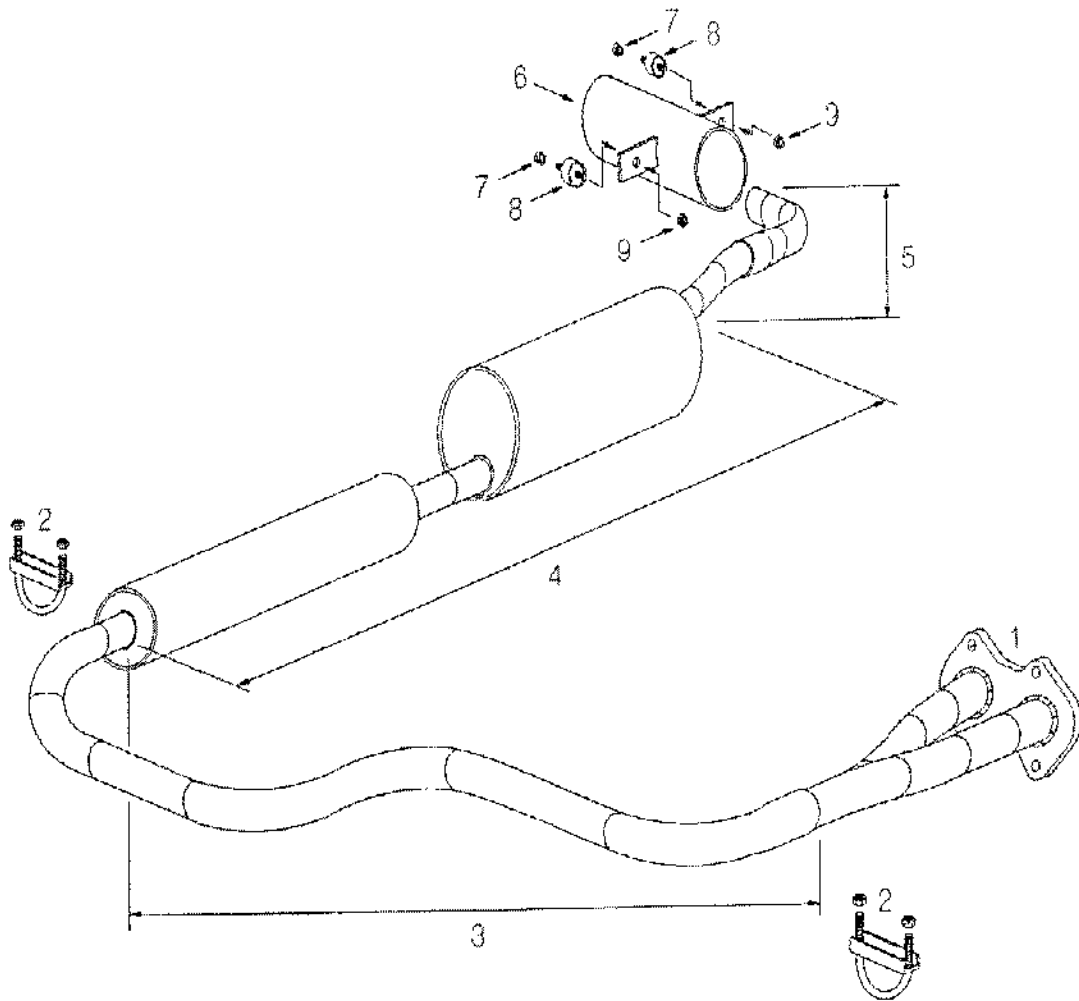
Ref. No.	Part No.	Description	Qty.
1	05-180N	Handlebar	1
2	05-181N	Throttle grip	2
3	05-182N	Throttle	1
4	05-183N	Gooseneck	1
5	16-440N	Steering bushing bolt	3
6	05-185N	Steering bushing	1
7	16-441N	Locknut	3
8	05-187N	Steering assembly	1
9	16-452N	Steering assembly mounting bolt	2
10	16-451N	Washer	2
11	16-455N	Locknut	2
12	16-444N	Steering cable mounting bolt	2
13	05-192N	Cable hold down	1
14	16-443N	Locknut	2
15	05-194N	Cable end mount	1
16	05-195N	Cotter pin	1



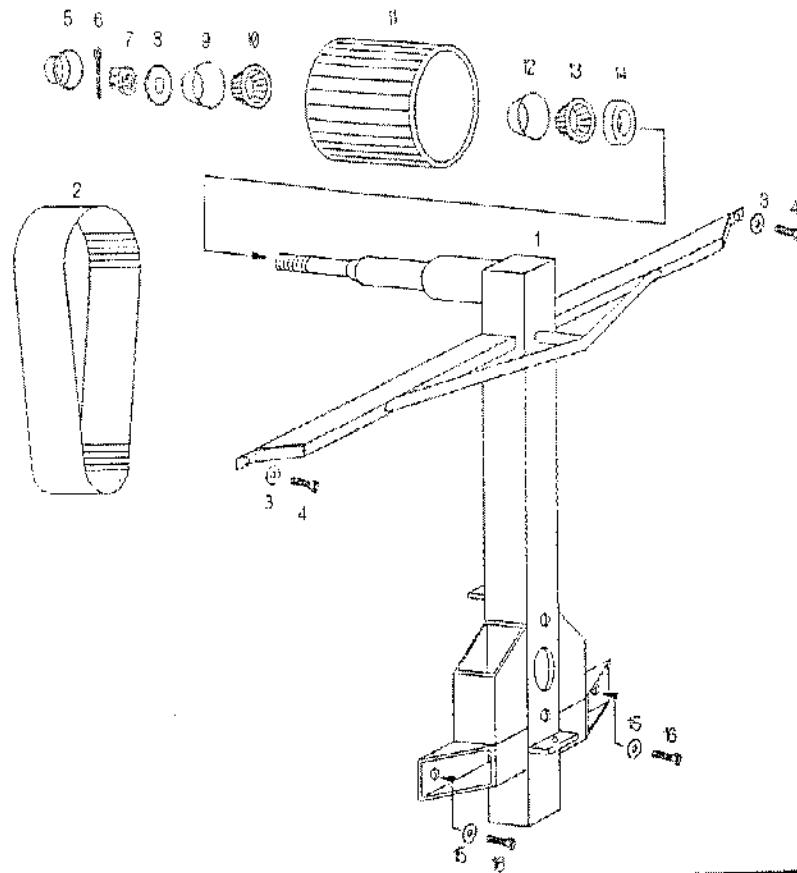
Ref. No.	Part No.	Description	Qty.
1	06-210N	Air brake cable brace	1
2	06-211N	Circlip	2
3	06-212N	Washer	2
4	06-213N	Pivot arm bushing	1
5	06-214N	Bushing retainer	1
6	06-215N	Pivot arm (1 piece)	1
7	06-216N	Pivot eye hook (set 2)	1
8	06-217N	Pivot spring	1
9	06-218N	Pivot pin	1
10	06-219N	Pivot shaft	1
11	06-220N	Brake handle	1
12	06-221N	Pivot shaft cover	1
13	06-222N	Shift handle detente	1
14	06-223N	Shift handle guide	1
15	16-440N	Pivot arm bushing bolt	1
16	16-441N	Locknut	1
17	16-445N	5mm x 16mm machine screw	8
18	16-443N	5mm locknut	8



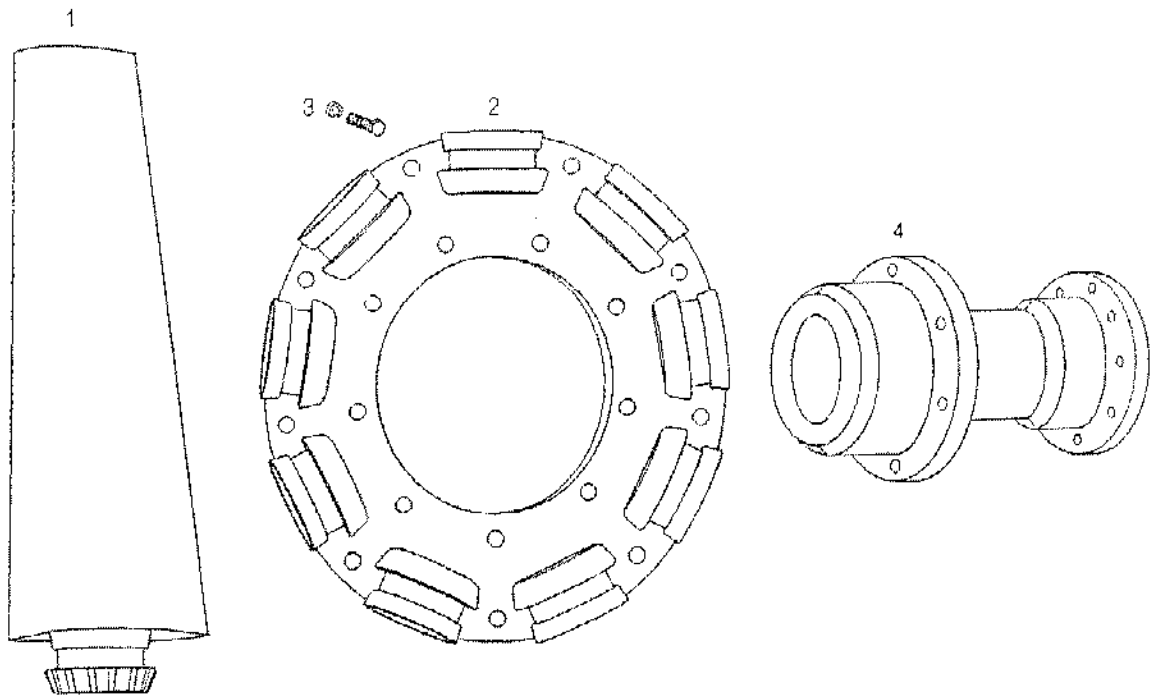
Ref. No.	Part No.	Description	Qty.
1	07-240N	Alternator	1
2	07-241N	Upper coolant line & hoses (set)	1
3	07-242N	Lower coolant line & hoses (set)	1
4	07-243N	Radiator	1
5	07-244N	Coolant overflow bottle	1
6	07-245N	Upper coolant overflow hose	1
7	07-246N	Lower coolant overflow hose	1
8	07-247N	Coolant line overflow coupling	1
9	07-248N	Oil filter	1
10	07-249N	Air filter	1
11	07-250N	Spark plug	4
12	07-251N	Ignition coils	2
13	07-252N	Distributor cap and rotor	1
14	07-253N	Oil cooler	1
15	07-254N	Water pump belt	1
16	07-255N	Fuel pump	1
17	07-256N	Spark plug wires (set)	4
18	07-257N	Ignition coil wire	1
19	07-258N	Engine	1



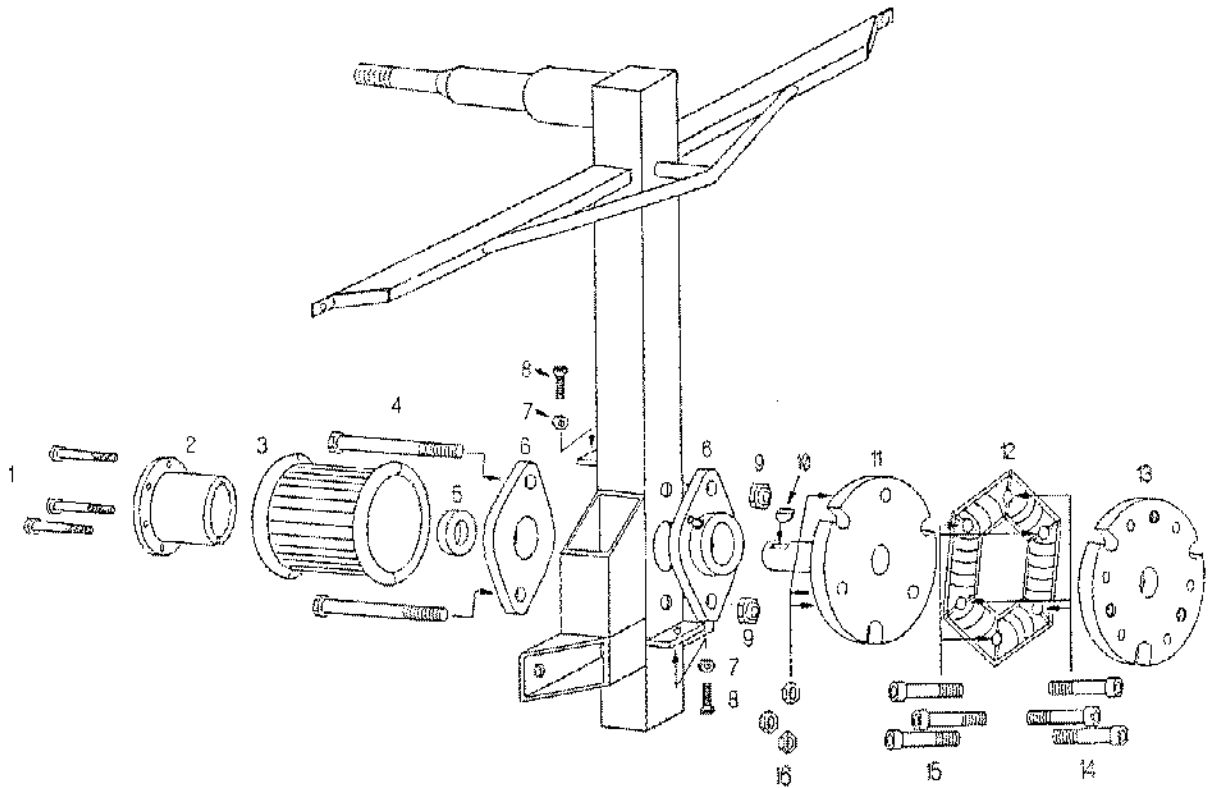
Ref. No.	Part No.	Description	Qty.
1	08-270N	Exhaust manifold	1
2	08-271N	"U" Clamp (2 inch)	2
3	08-272N	Header pipe	1
4	08-273N	Muffler assembly	1
5	08-274N	Tailpipe assembly	1
6	08-275N	Exhaust vibration mount	1
7	16-484N	Cap nut	2
8	08-277N	Vibration isolator mounting bolt	2
9	16-475N	Locknut	2



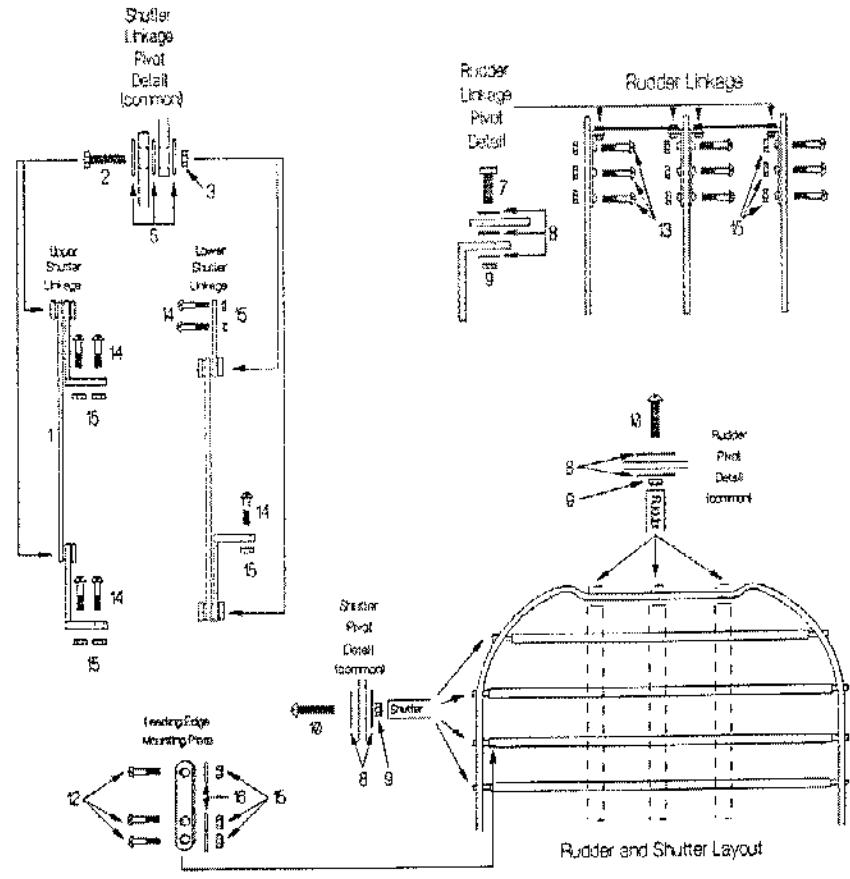
Ref. No.	Part No.	Description	Qty.
1	09-300N	Fan cross bar	1
2	09-301N	Drive belt	2
3	16-473N	Washer	2
4	16-453N	Cross bar mounting bolt	2
5	09-304N	Dust cover	1
6	09-305N	Cotter key	1
7	09-306N	Castle nut	1
8	09-307N	Bearing washer	1
9	09-308N	Outer race	1
10	09-309N	Outer bearing	1
11	09-310N	Driven pulley	1
12	09-311N	Inner race	1
13	09-312N	Inner bearing	1
14	09-313N	Oil seal	1
15	16-473N	Washer	2
16	16-463N	Bottom fan assembly bolt	2



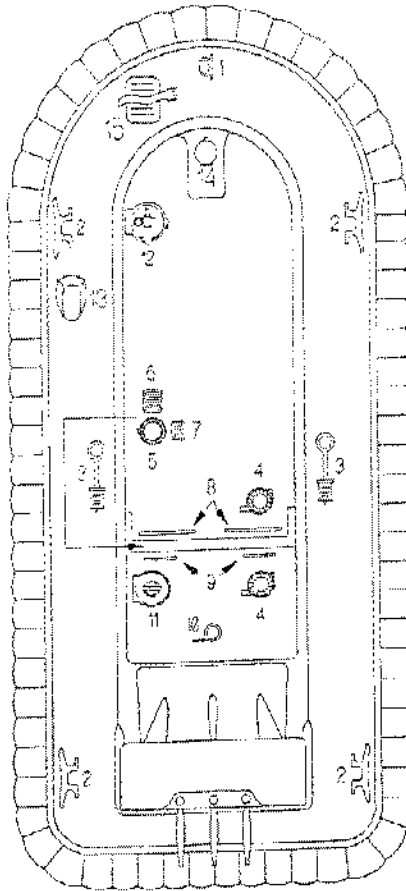
Ref. No.	Part No.	Description	Qty.
	09A-315N	Fan assembly	1
1	09A-316N	Fan blade	9
2	09A-317N	Fan hub (sold as a unit)	2
3	09A-318N	Fan hub nut and bolt (included with assembly)	18
4	09A-319N	Fan hub mount	1



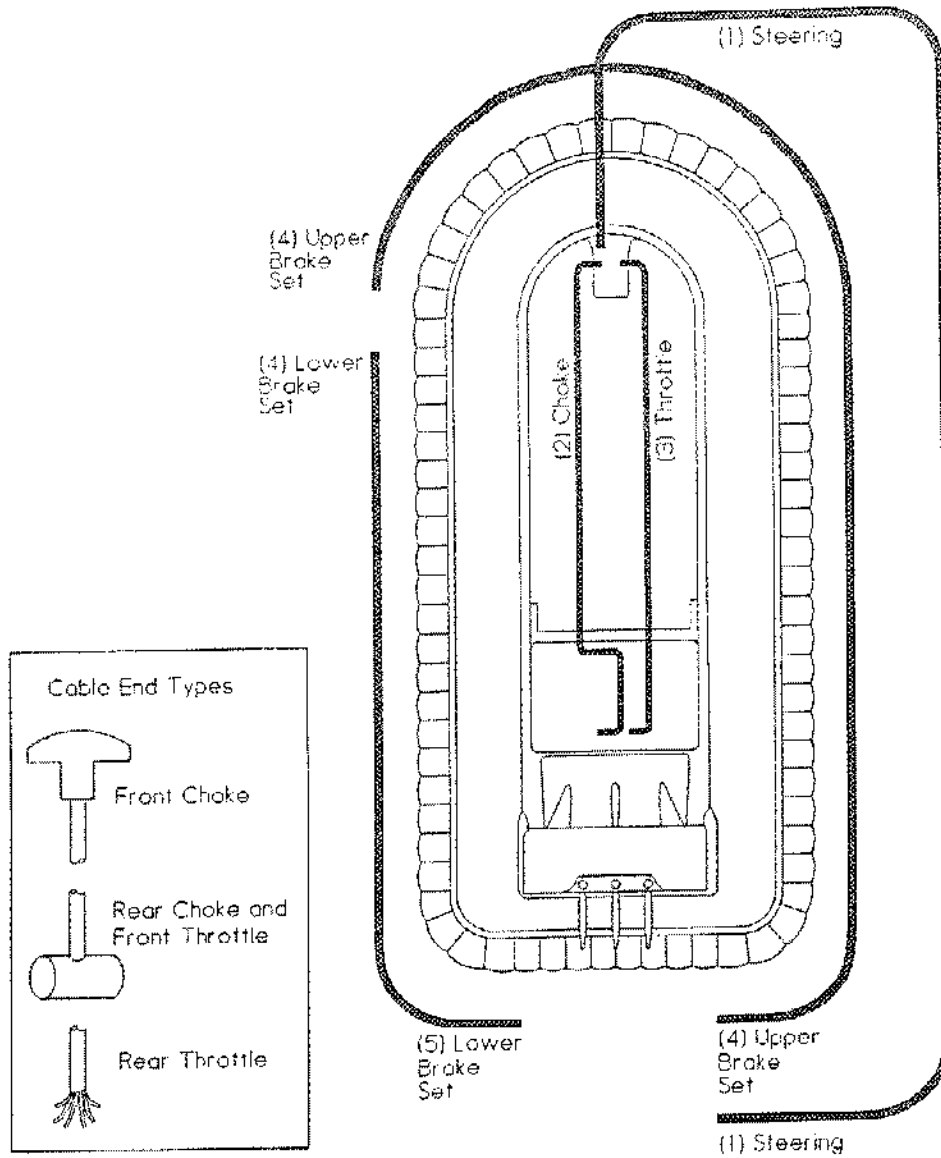
Ref. No.	Part No.	Description	Qty.
1	10-320N	Taper lock bolts (included with taper lock)	3
2	10-321N	Taper lock	1
3	10-322N	Drive pulley	1
4	16-471N	Block bearing bolt	2
5	10-324N	Brass spacer	1
6	10-325N	Block bearing assembly	2
7	16-475N	Adjuster nut	2
8	16-474N	Adjuster bolt	2
9	16-472N	Block bearing locknut	2
10	10-329N	Woodruff key	1
11	10-330N	Drive shaft plate	1
12	10-331N	RotoFlex boot	1
13	10-332N	Flywheel plate	1
14	16-464N	RotoFlex bolts (SS, Allen head)	3
15	16-476N	RotoFlex bolts (black allen head)	3
16	16-467N	RotoFlex nuts	3



Ref. No.	Part No.	Description	Qty.
1	11-350N	Upper shutter linkage assembly	1
2	16-448N	6mm machine screw	4
3	16-447N	6mm locknut	4
4	11-351N	Lower shutter linkage assembly	1
5	16-446N	6mm flat washer	12
6	11-352N	Rudder linkage assembly	2
7	16-449N	6mm bolt	4
8	16-451N	8mm flat washer	28
9	16-455N	8mm locknut	20
10	16-454N	8mm PH machine screw	8
11	11-353N	Leading edge mounting plate	1
12	16-444N	5mm x 12mm PH machine screw	3
13	16-445N	5mm x 16mm machine screw	9
14	16-485N	5mm x 20mm machine screw	8
15	16-443N	5mm Locknut	20
16	16-442N	5mm standard flat washer	3

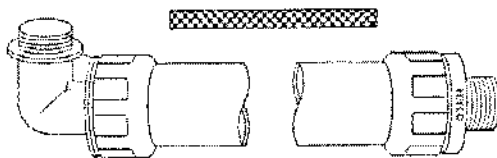


Ref. No.	Part No.	Description	Qty.
1	12-350N	Bow eye hook	1
2	12-351N	Cleat	4
3	12-382N	Drain plug	2
4	12-383N	Bilge pump (1 on pleasure craft, 2 on rescue)	2
5	12-384N	Engine blower fan (located in plenum)	1
6	12-385N	Engine blower ducting	1
7	12-386N	Blower to grid connecting hose	1
8	12-387N	Engine compartment air intake grids (under seat)	2
9	12-388N	Engine compartment air intake grids (in engine compartment)	2
10	12-389N	Intake grid retainers (3 per grid)	12
11	12-390N	Engine compartment fire extinguisher (Halon optional)	1
12	12-391N	Passenger compartment fire extinguisher	1
13	12-392N	Fuel tank vent	1
14	12-393N	Gas cap	1
15	12-394N	Battery cover and strap	1



Ref. No.	Part No.	Description	Qty.
1	13-400N	Steering	1
2	13-401N	Choke	1
3	13-402N	Throttle	1
4	13-403N	Upper brake set	1
5	13-404N	Lower brake set	1

(1) Main Wiring Loom

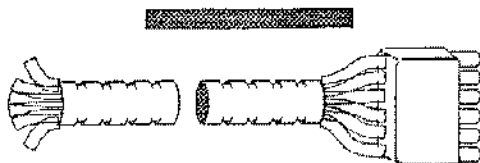


Engine Compartment End

Dashboard End

The Main Wiring Loom contains two primary power cables, seven wires for gauges, and ten miscellaneous wires. When servicing electrical systems, replacement connectors and related components must be replaced with factory components. Failure to do so will void any related warranties.

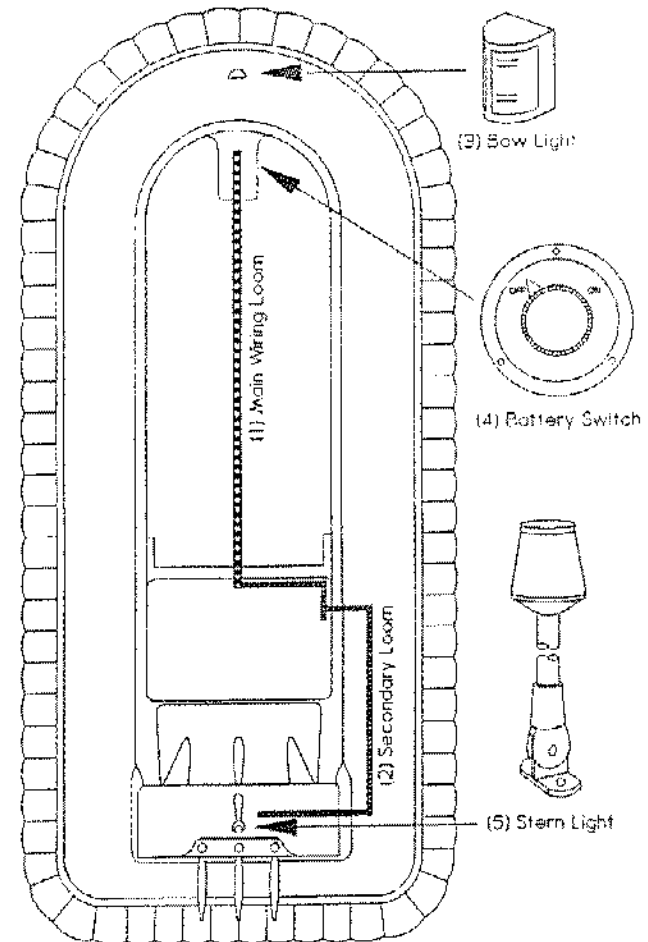
(2) Secondary Wiring Loom



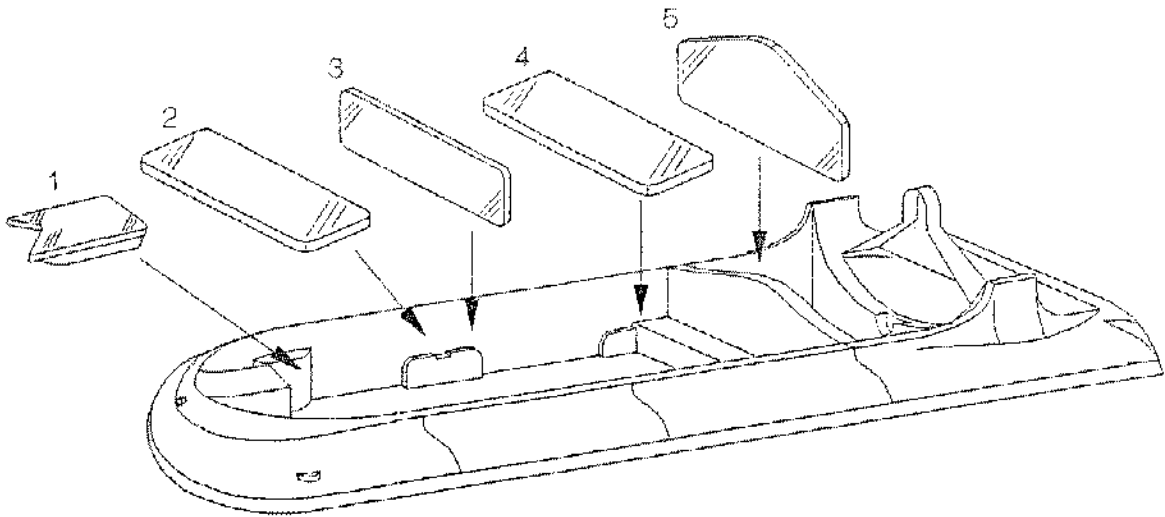
To Top of Duct

Engine Compartment End

The Secondary Wiring Loom contains six wires. It runs from the starboard engine compartment wall, through the plenum, and up into the air duct. The secondary loom supplies power to the rear navigation lights and accessories.



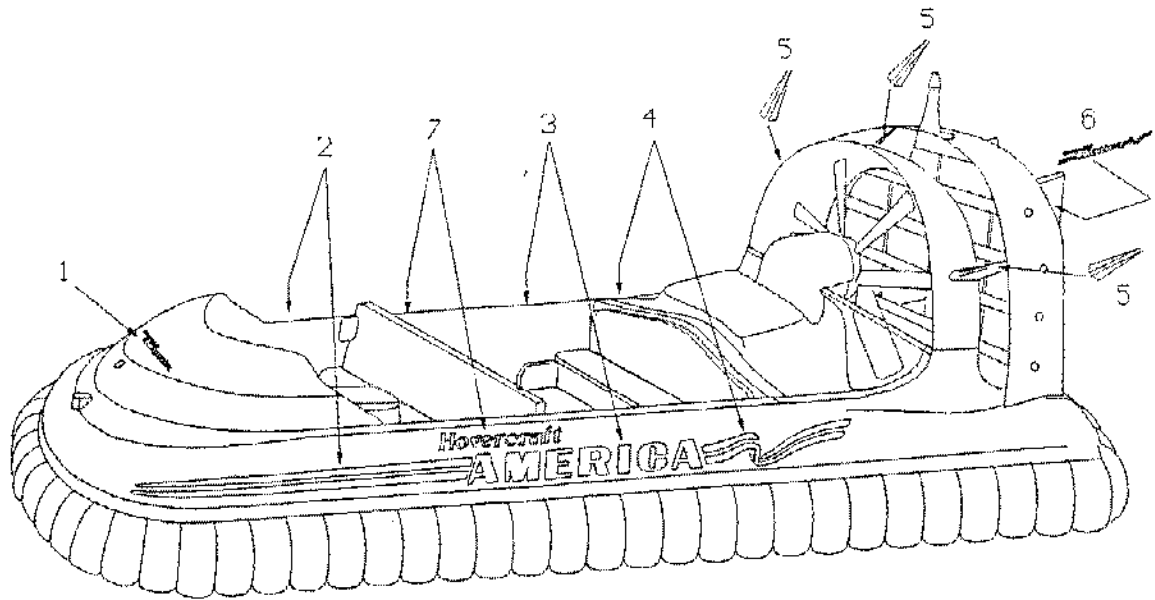
Ref. No.	Part No.	Description	Qty.
1	14-410N	Main wiring loom	1
2	14-411N	Secondary wiring loom	1
3	14-412N	Bow light	1
4	14-413N	Battery Switch	1
5	14-414N	Stern light	1



Ref. No.	Part No.	Description	Qty.
1	14-420N	Fuel cell seat pad	1
2	14-421N	Center seat	1
3	14-422N	Center seat back	1
4	14-423N	Rear seat	1
5	14-424N	Rear seat back	1

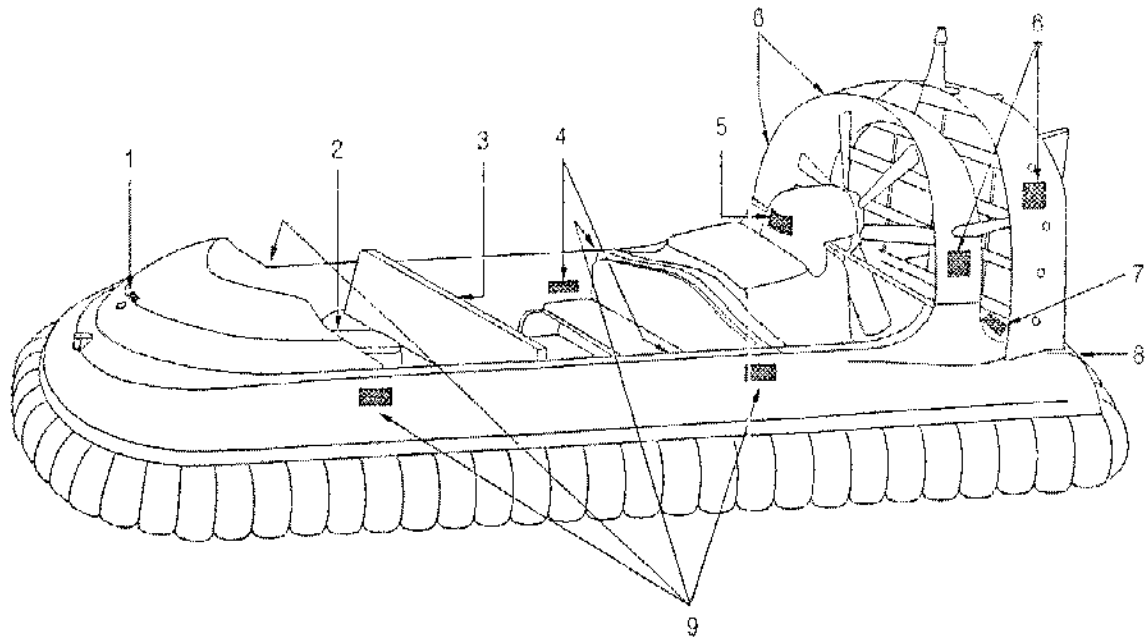
Hovercraft AMERICA

Pleasure Craft Stripe Package



Note: Each stripe part is sold as a set. Each set contains both the right and left sides of each stripe.

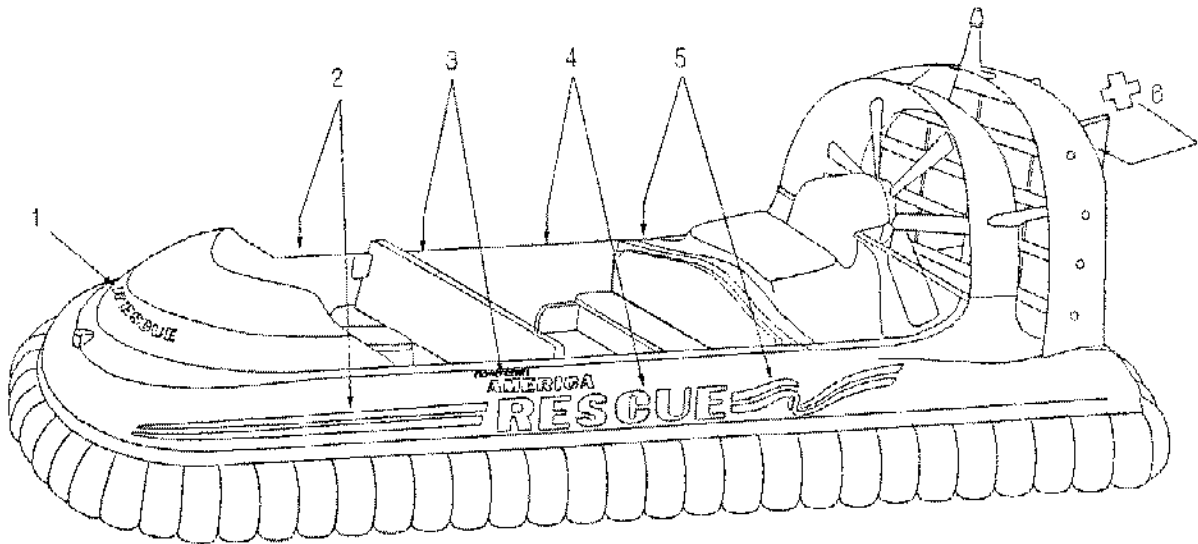
Ref. No.	Part No.	Description	Qty.
1	17-520-1	Hood decal (1 set)	1
2	17-521-1	Front flags (Left and right, set)	1
3	17-522-1	"AMERICA" side decals (Left and right, set)	1
4	17-523-1	Flag wave (Left and right, set)	1
5	17-524-1	Duct stripes (set of 3)	1
6	17-525-1	"Hovercraft AMERICA" rudder decal	1
7	17-526-1	"Hovercraft" side decals (Left and right, set)	1



Ref. No.	Part No.	Description	Qty.
1	18-540-1	"Unleaded Gasoline, No Smoking" decal	1
2	18-541-1	"Hearing Protection Required" decal	1
3	18-543-1	"Caution: Abrupt Stops" decal (on front seat backrest)	1
4	18-544-1	"Do Not Block Airflow" decal (set of 2)	1
5	18-545-1	"Do Not Operate Without Fan Guard" decal	1
6	18-546-1	"Danger: Keep Clear" decal (set of 4)	1
7	18-547-1	"Keep Clear" decal (set of 2)	1
8	18-548-1	"Hot Exhaust" decal	1
9	18-542-1	"No Step" decal (set of 4)	1

Hovercraft AMERICA

Rescue Craft Stripe Package

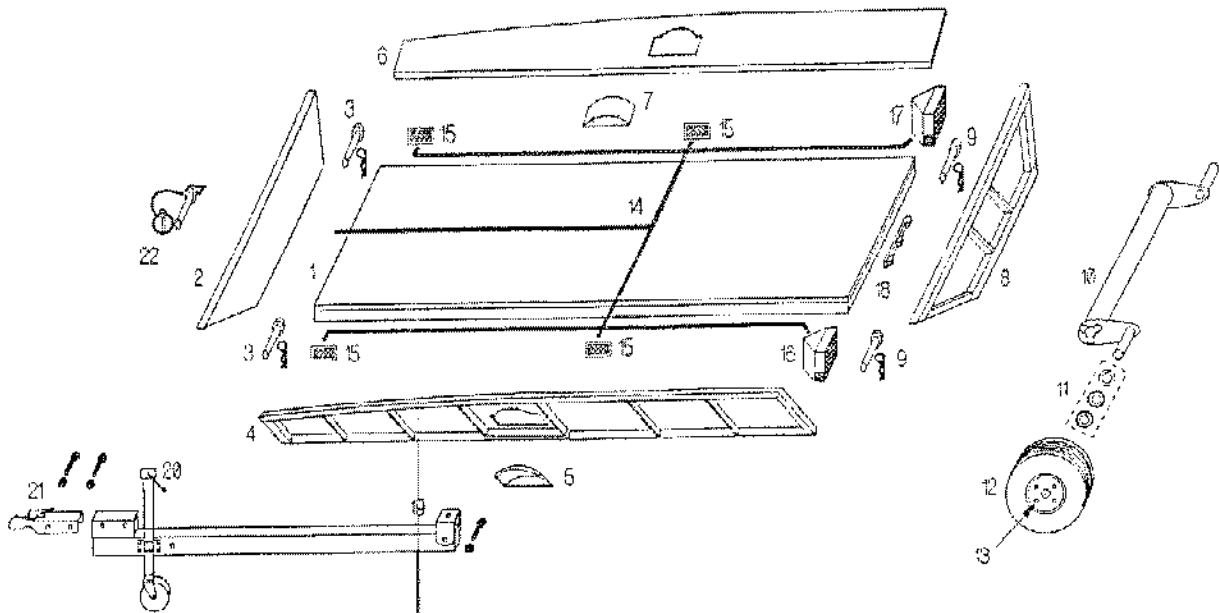


Note: Each stripe part is sold as a set. Each set contains both the right and left sides of each stripe.

Ref. No.	Part No.	Description	Qty.
1	19-560-1	Bow "RESCUE" decal	1
2	19-561-1	Front flags (Left and right, set)	1
3	19-565-1	"Hovercraft AMERICA" (left and right side, set)	1
4	19-562-1	"RESCUE", reflective (Left and right side, set)	1
5	19-563-1	Flag wave, rear (Left and right side, set)	1
6	19-564-1	Rudder cross (Left and right outboard rudders, set)	1

Hovercraft AMERICA

Fly On - Fly Off Trailer



Ref. No.	Part No.	Description	Qty.
1	20-580-1	Base	1
2	20-581-1	Front tailgate (with bolts)	1
3	20-582-1	Front tailgate pin	2
4	20-583-1	Left side (with bolts)	1
5	20-584-1	Left wheel well	2
6	20-585-1	Right side (with bolts)	1
7	20-586-1	Right wheel well	1
8	20-587-1	Rear tailgate (with bolts)	1
9	20-588-1	Rear tailgate pin	2
10	20-589-1	Torsion axle	1
11	20-590-1	Bearing kit	2
12	20-591-1	Wheel (spare tire is the same type)	3
13	20-592-1	Lug nut	8
14	20-593-1	Wiring harness	1
15	20-594-1	Side marker lights	4
16	20-595-1	Left tail light	1
17	20-596-1	Right tail light	1
18	20-597-1	Rear reflector (center)	1
19	20-598-1	Tongue bar with swivel and bolt	1
20	20-599-1	Pivoting tongue jack (with wheel)	1
21	20-600-1	Hitch ball reciever (with bolts)	1
22	20-601-1	Front pivot pin	1

FASTENERS

NUTS & BOLTS

<u>Part No.</u>	<u>Description</u>
16-440N	4mm x 70mm x 25mm
16-441N	4mm x 70mm Nylon L/N
16-442N	5mm STD F/W
16-443N	5mm x 80mm Nylon L/N
16-444N	5mm x 80mm x 12mm
16-445N	5mm x 80mm x 16mm
16-446N	6mm Standard F/W
16-447N	6mm x 1.0 Nylon L/N
16-448N	6mm x 1.0 x 16mm
16-449N	6mm x 1.0 x 20mm
16-450N	6mm x 1.0 x 30mm
16-451N	8mm Flat Washers (Stainless Steel)
16-452N	8mm x 1.25 x 20mm
16-453N	8mm x 1.25 x 35mm
16-454N	8mm x 1.25 x 50mm
16-455N	8mm x 1.25 Nylon L/N
16-456N	8mm x 20mm Motor Mount Base
16-457N	8mm x 30mm Top Fan Assembly
16-458N	8mm x 10mm x 50mm Cleat Bolt
16-459N	8mm x 60mm Pulley Bolt
16-460N	10mm x 1.25 x 20mm Rear Motor Mount
16-461N	10mm x 1.5 Nylon L/N
16-462N	10mm x 20mm 8-8 HHCS Front Motor Mount
16-463N	10mm x 2.00 x 30mm Bottom Fan Assembly
16-464N	10mm x 1.5 x 70mm Bolt (Drive Shaft)
16-465N	10mm x 130mm Starter Bolt (Top)
16-467N	10mm Nut
16-468N	12mm x 120mm Starter Bolt (Bottom)
16-469N	12mm Nut



16-470N	3/8x20 Motor Mount Top Bolts (Gold)
16-471N	7/16-14x4" Bolt-Bearing Blocks (Drive Gear)
16-472N	7/16-14 Lock Nut " "
16-473N	7/16 Flat Washer (Stainless Steel)
16-474N	1/4-20 X 1 3/4"
16-475N	1/4-20 Lock Nut
16-476N	1/2-13 x 2 1/4" Black Anodized Bolt
16-484N	1/4-20 Chrome cap nut

RIVETS

<u>Part No.</u>	<u>Description</u>
16-477N	ASP 46
16-478N	AK44 BS
16-479N	RV 6602-6-4
16-480N	RU 6602-6-6
16-481N	RU 6602-6-8

WELLNUTS

<u>Part No.</u>	<u>Description</u>
16-482N	5mm x 80mm Metric Wellnuts
16-483N	5mm x 80mm x 20mm Metric Wellnut Screws

Hovercraft Optional Equipment

21-620	3 Ft. telescoping paddle
21-621	3 Ft. rescue hook
21-622	Accessory plug
21-623	Accessory bar (per application)
21-624	Anchor with 50 ft. rope
21-625	Assorted repair items (metric nuts & bolts, etc.)
21-626	CB Radio
21-627	Cigarette lighter
21-628	Club seating
21-629	Courtesy map lights
21-630	Customized lighting
21-631	Driver's seat back pad
21-632	Dual batteries
21-633	External jumper leads
21-624	Global positioning system (GPS)
21-625	Halon system
21-626	Hand-held spotlight
21-627	Heavy duty skirts
21-628	Hot grips
21-629	Hover cover
21-630	Leg straps for stretchers
21-631	Rapid deployment trailer
21-632	Side ropes
21-633	Skirt repair kit
21-634	Stretcher racks
21-635	Stripes - custom
21-636	Tongue jack with wheel
21-637	VHF Radio

Note: Options and pricing are subject to change without notice.



Suggested In-Flight Tool Kit

Straight head screwdriver
Phillips head screwdriver
Small adjustable wrench
Spark plug wrench
Side cutter
Needlenose pliers
Utility knife
Medium vice grip
Small flashlight
Small channel lock pliers
Waterproof bag for tools (To be kept on the craft)

All of the tools listed above should be kept in the craft at all times.

Additional suggested tools and parts (To be kept in the tow vehicle for field repairs):

Rechargeable drill
Basic drill set (13/64" will drill out all rivets)
Hammer
Metric allen wrench set
3/8" ratchet
3/8" drive metric socket set
Hand rivet gun

Suggested In-Flight Spare Parts

- 2) "A" Skirts
- 1) "B" Skirt
- 1) Skirt repair kit (25 Tie wraps, 10 Skirt clips, 10 P-Clips)(Part No. 17-534N)
- 15) 6-8 Rivets
- 1) Anchor, with 25' anchor/tow rope
- 5) Cotter pins



- 5) Wellnuts and screws
- 4) Spark plugs
- 1) Kit of assorted repair items (Metric screws and bolts, small and large hose clamps, fan guard bungees, cotter pins, fan guard holders, and wire quick disconnects)(Part No. 17-515N)

Note: P-Clips and tie wraps are special ordered by the factory for a specific tensile strength. Non-factory replacements can cause serious damage to the skirt system.



ORDERING INFORMATION

CRAFT IDENTIFICATION

To help speed the purchase of replacement parts, and so we can better serve you, please write down your hovercraft's identification number and engine number in the spaces provided. The hovercraft identification number is located under the rear seat, next to the engine compartment air intake grids. The engine number is located beneath the forward set of spark plugs, on a red and silver plate.

Hovercraft I.D. Number: HCA16ORC920003

Engine Number: _____

PAYMENT METHODS

We accept Checks, Money Orders, and Cashier's Checks. For your convenience, we can set up COD Accounts and Open Accounts.

WHEN ORDERING

Please give the correct part number, description of part, and the quantity required. When ordering by mail or fax, please use the order form enclosed in your owner's manual whenever possible. Please print clearly to avoid errors or unnecessary delays.

ORDER CHARGE

- COD Customers add \$4.00 COD charge.
- Cash orders must be accompanied by 100% deposit.
- Open accounts require deposit on orders over \$250, with net due upon receipt.

PRICES

Prices are subject to change without notice.



SUBSTITUTION OF PARTS

We reserve the right to substitute parts of similar nature and quality.

RETURN POLICY

Returns will not be accepted after 90 days. Any return must be in new, salable condition. Parts which have been drilled, cut, welded, painted, or modified in any way cannot be returned. Non-salable items will be returned to the customer.

RETURN PROCEDURE

Returned parts must have prior approval. When shipping the part, you must include the Return Merchandise Authorization and the original packing slip, or a first-generation copy. Returned merchandise will carry a 10% restocking charge.

SHIPPING

Parts are shipped by UPS or by the U.S. Postal Service, the selection being dependent on current rates and the nature of your order. Larger items must be shipped by Truck Common Carrier. Engines can be sent via truck common carrier. Add 15% to your order to cover Shipping Charges.

SALES TAX

Applicable sales tax will be applied according to your State's requirements. Wisconsin Residents add 5% sales tax.

We thank you for your order. Please call us if you have a question.

Hovercraft America
(414) 253-9979

Hovercraft =AMERICA=

About The Hoverclub of America, Inc.

While hovercraft might seem novel or even strange to many people, to those who know of them and their capabilities there is a fascination that is obsessive to most. This is what the Hoverclub of America, Inc. is all about. The Hoverclub of America, Inc. consists of enthusiasts whose passion is hovercraft; cruising them, racing them, building them. We are a non profit organization founded in 1974. The Club provides a forum for the exchange of ideas and a focal point for research and development. Our membership is Worldwide including Canada, England, the Netherlands, Australia, Japan and Africa.

In order to serve our members varying interests we publish an informative, bimonthly newsletter, HOVERNEWS. It covers the world of sport sized hovercraft in detail. Our scope also covers the beach storming military giants as well as the commercial craft, but our members are primarily backyard builders and sports minded individuals. Members can write in and share experiences or technical information. HOVERNEWS provides the network to link up with others in the world who share the same interests.

The Hoverclub of America, Inc. holds an annual HOVERALLY, this is our national championship rally, as well as others for racing, cruising, rides and social gatherings. Rallies are a great place to meet other members and to share ideas and tell tall tales. There is an award every year at the National HOVERALLY for the best Homebuilt and/or the craft showing the most Technical Innovation. The National HOVERALLY is just one of the annual events sponsored by the Hoverclub. There is always a wide range of talent on display at any Club event. Racers will be competing for the National Championship. Some of these high power machines can reach speeds approaching 100 mph. For the younger members and those young at heart there is a model competition from rubber band free flight to radio controlled. The next step up is a human powered event where lift and thrust must be supplied by the drivers muscle alone. Each year our National HOVERALLY is the largest gathering of hovercraft in the US.

Drivers and builders are proud of their machines and eager to show off their capabilities, so demonstrations and rides are a big part of any event. Cruising is very popular in the Club and there is plenty of opportunity for that

Hovercraft AMERICA

at any Club gathering. The rallies, races, and cruises are great places for anyone interested to gain first-hand experience. Ideas and information are swapped in lively discussions, parts and supplies are bought, sold and traded and new friends are made.

The Hoverclub of America, Inc. is involved in education. High Schools and Universities nationwide have explored the science and engineering aspects of the hovercraft. Shop classes can build a functional hovercraft quickly and economically all while getting hands on experience with aerodynamics, hydrodynamics, lubrication, momentum, woodworking, plastics, and more. Due to it's relatively simple construction combined with advanced technology the hovercraft is a wonderful teaching tool. A human powered hovercraft built by students in Virginia is currently on display in the Smithsonian Institute.

The Hoverclub of America, Inc. is a member of the World Hovercraft Federation and shares information on a worldwide network of clubs full of hovercraft enthusiasts. World Championship races are held every other year in a different country and Hoverclub members can compete in international events. In 1989 we hosted the World Championships in Troy, Ohio. In 1991 the World Championships were held In England. The '93 World Championships are scheduled In France.

Membership in the Hoverclub doesn't cost much compared to how it can pay off in information and access on technical matters, R&D, resources and more. The homebuilder can save hundreds of hours and dollars by using the resources of the Club and finding the right materials and building a craft that will fly right, the first time. If you fly a factory craft the club can help with operating safety techniques, tune up tips and sources of new and used parts to keep your craft up and running. Commercial craft operators can save operating costs and prevent down time by keeping up with new technology in the industry and networking with other commercial operators. Safety and rescue teams can learn proper care and special techniques peculiar to hovercraft that can keep that craft operational for hundreds of hours. Manufacturers, consultants, model builders, racers, inventors, toddlers, teens to senior citizens all participate in the Hoverclub of America, Inc.

Referred to by / Gift from: _____

MEMBERSHIP APPLICATION

Check One: New Renewal

Mail To: Hoverclub of America, Inc.
P.O. Box 908
Foley, AL 36536-0908
Ph/Fax 205-943-3279

Name Member #

Company

Street

City State Zip

Country Phone

Signature Date

Please find enclosed:
Membership dues for one year \$25.00
-- or --
Family Membership for one year \$35.00

Postage charge for mailing outside
the US (First Class - \$5. Canada,
\$3. Mexico; Small Packet, Air -
\$8. Phillipines and Central America;
\$11. S. America, western Europe, &
northern Africa; \$13 eastern Europe,
Australia, Asia, southern Africa). \$ _____

Total - Check on US bank or postal
money order, or now charge with
Visa or Mastercard. \$ _____
U.S. Funds

Visa / Mastercard Info:

Check One
 Visa or Mastercard Total \$ _____
Card # _____
Expiration Date: _____
Signature: _____

Referred to by / Gift from: _____

MEMBERSHIP APPLICATION

Check One: New Renewal

Mail To: Hoverclub of America, Inc.
P.O. Box 908
Foley, AL 36536-0908
Ph/Fax 205-943-3279

Name Member #

Company

Street

City State Zip

Country Phone

Signature Date

Please find enclosed:
Membership dues for one year \$25.00
-- or --
Family Membership for one year \$35.00

Postage charge for mailing outside
the US (First Class - \$5. Canada,
\$3. Mexico; Small Packet, Air -
\$8. Phillipines and Central America;
\$11. S. America, western Europe, &
northern Africa; \$13 eastern Europe,
Australia, Asia, southern Africa). \$ _____

Total - Check on US bank or postal
money order, or now charge with
Visa or Mastercard. \$ _____
U.S. Funds

Visa / Mastercard Info:

Check One
 Visa or Mastercard Total \$ _____
Card # _____
Expiration Date: _____
Signature: _____

